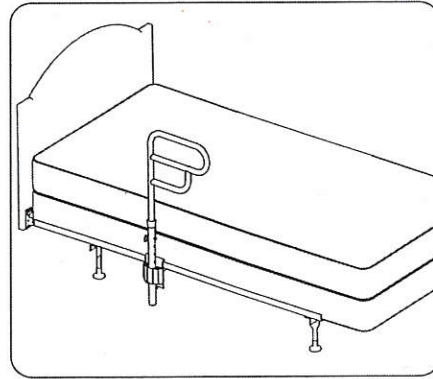


AR250 ARCORAIL FOR HOME STYLE BEDS

16H400A



⚠ WARNING & CAUTIONS

- Please read these Instructions carefully before installing and using your ArcoRail. Please read the Warning and Caution labels attached to the ArcoRail product. Incorrect Installation or incorrect use of ArcoRail can result in serious injury or death.
- The ArcoRail is an Bedside Balance Assist and must not be used for any other purpose. ArcoRail is to assist people in moving in bed, helping with balance when getting into and out of bed and to assist with balance when standing beside the bed or during transfers near the bed.
- The ArcoRail is not to be used as a restraint, or to prevent people from falling out of bed. There are correctly designed Bed Rails for these purposes.
- ENTRAPMENT: Entrapment describes a situation where a person's neck, head, chest or torso can get trapped in the space between the mattress and horizontal bar or between the vertical bar and the side of the mattress. The mattress must be tight against the vertical bar and should be checked daily. A safer way to prevent gaps between the mattress and the vertical bar is to install two ArcoRails, one on either side of the mattress. Extra safety measures and precautions should be used with high-risk people.
- The ArcoRail is not intended to support the full weight of the user and is suitable for people weighing up to 300 lbs (135kgs)
- Read the FDA's "A Guide to Bed Safety" This can be found on Google.
- The contents of the box may not be exactly as shown.
- If you have any questions please contact Customer Care.



1986 Sideroad 15
Tottenham ON L0G 1W0 Canada
Tel: 905-936-3580/Fax: 905-936-3585

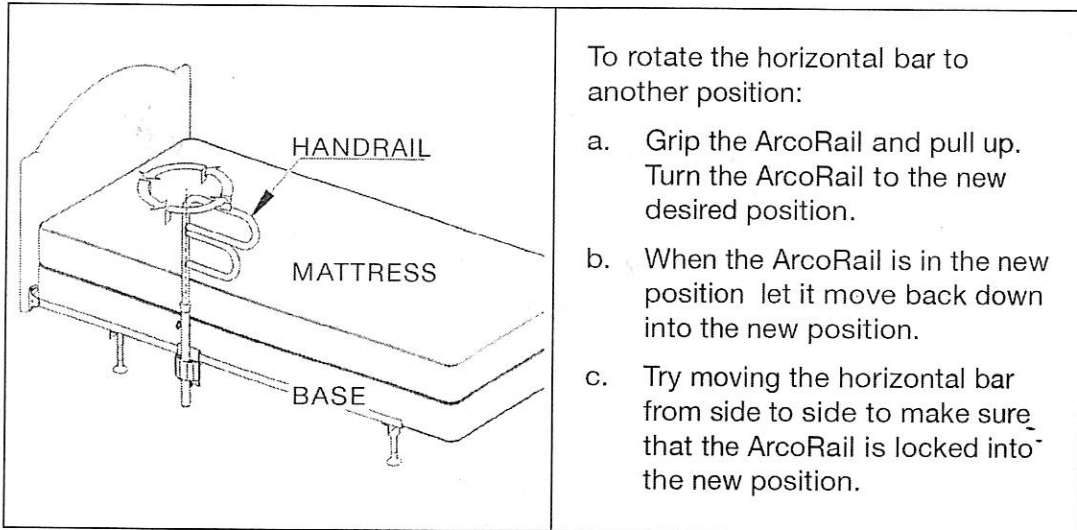
www.parsonsadl.com

800.263.1281

USING THE ARCORAIL

The ArcoRail horizontal bar can rotate 360°, locking safely and firmly in four 90° positions.

1. Changing the direction of the horizontal bar.



To rotate the horizontal bar to another position:

- a. Grip the ArcoRail and pull up. Turn the ArcoRail to the new desired position.
- b. When the ArcoRail is in the new position let it move back down into the new position.
- c. Try moving the horizontal bar from side to side to make sure that the ArcoRail is locked into the new position.

2. Entering and Exiting the bed.

To enter or exit the bed hold onto both the vertical bar and the horizontal bar. It will be easier if you sit on the bed beside the ArcoRail away from the head of the bed.

3. Using the ArcoRail to sit up or reposition on the bed.

The ArcoRail can be used to sit up, move, reposition or lay down on the bed. Swivel the ArcoRail to the most comfortable position for you and grab it to assist you when you are moving.

4. Maintenance:

- Regular maintenance and cleaning will improve the safety and durability of your ArcoRail.
- Periodically make sure that all the bolts are tight.
- Always make sure that the mattress is tight against the vertical post.

ARCORAIL ASSEMBLY INSTRUCTIONS FOR REGULAR HOME STYLE BEDS AR250

FITS HOMESTYLE BED FRAMES
(1" - 1-3/4") IN HEIGHT

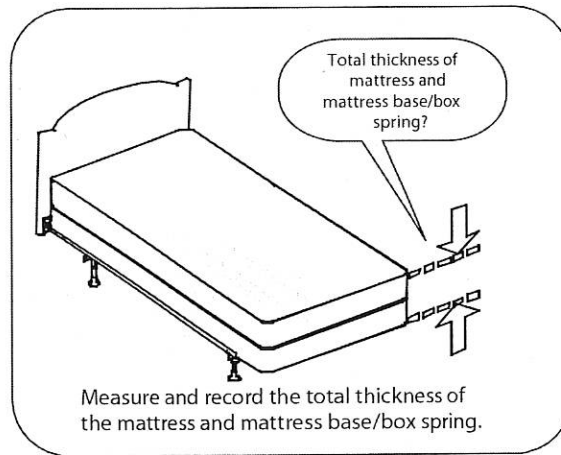
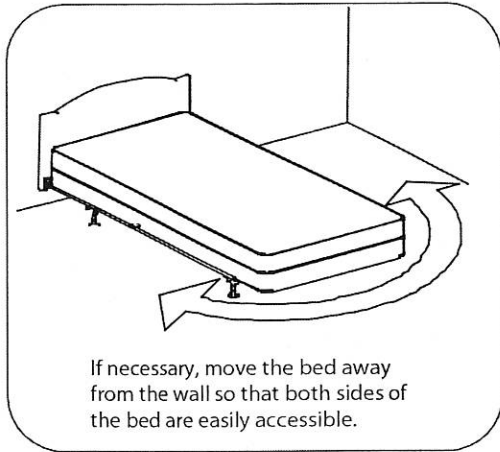
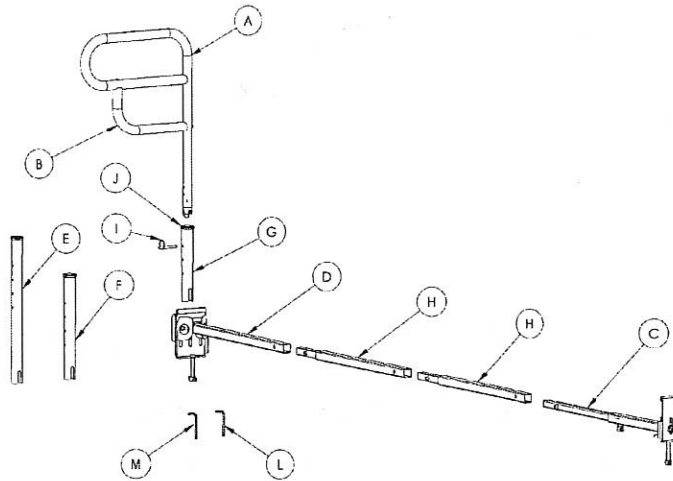


Regular Home Style beds have
ANGLE IRON FRAMES that are
horizontal and flat at the bottom.

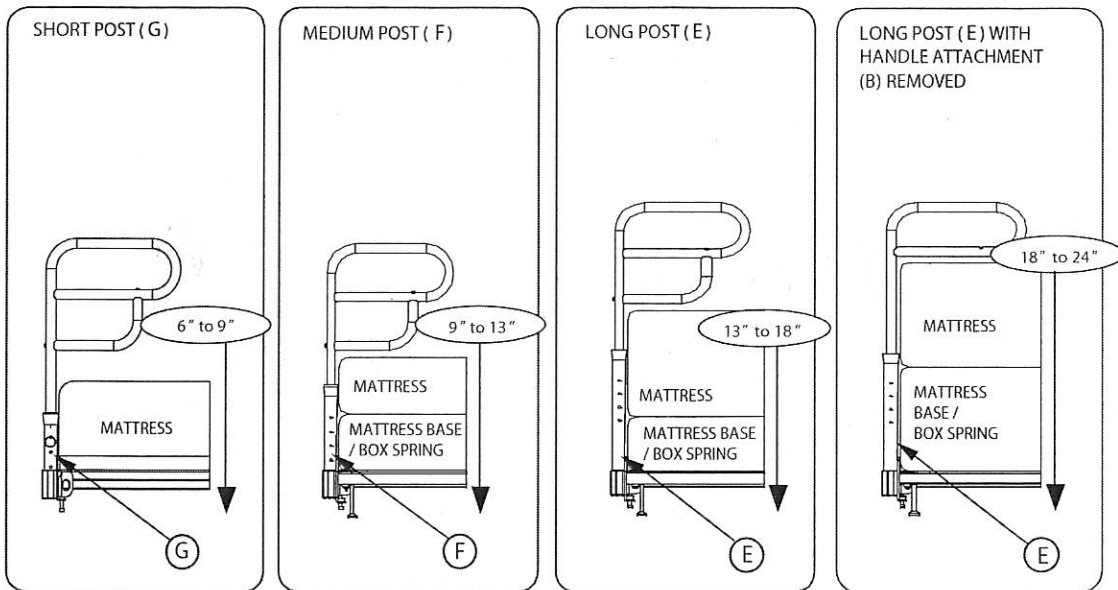
Please read the following instructions before you start to assemble the Arcorail bedside handrail.
This document contains important safety information.

Box Contents

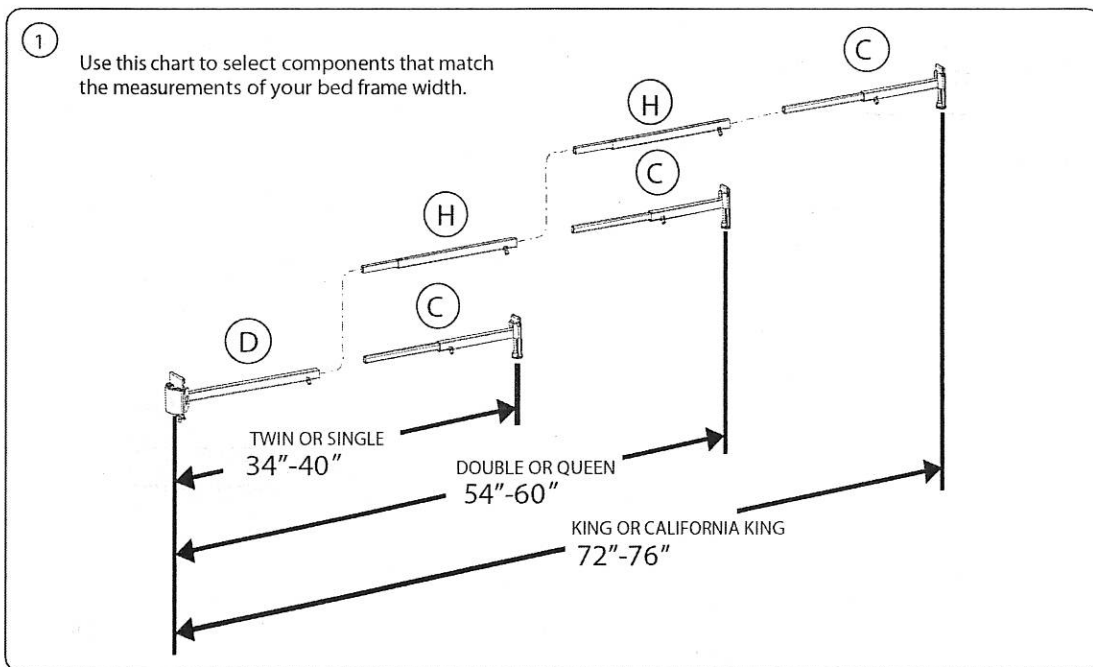
Item	Qty.	Description
A	1	HANDLE
B	1	HANDLE ATTACHMENT
C	1	BACK ANCHOR ASSEMBLY
D	1	FRONT ANCHOR TUBE ASSEMBLY
E	1	LONG POST
F	1	MEDIUM POST
G	1	SHORT POST
H	2	EXTENSION TUBE
I	1	HEIGHT ADJUSTING PIN
J	1	POST CAP
L	1	4mm HEX KEY
M	1	6mm HEX KEY



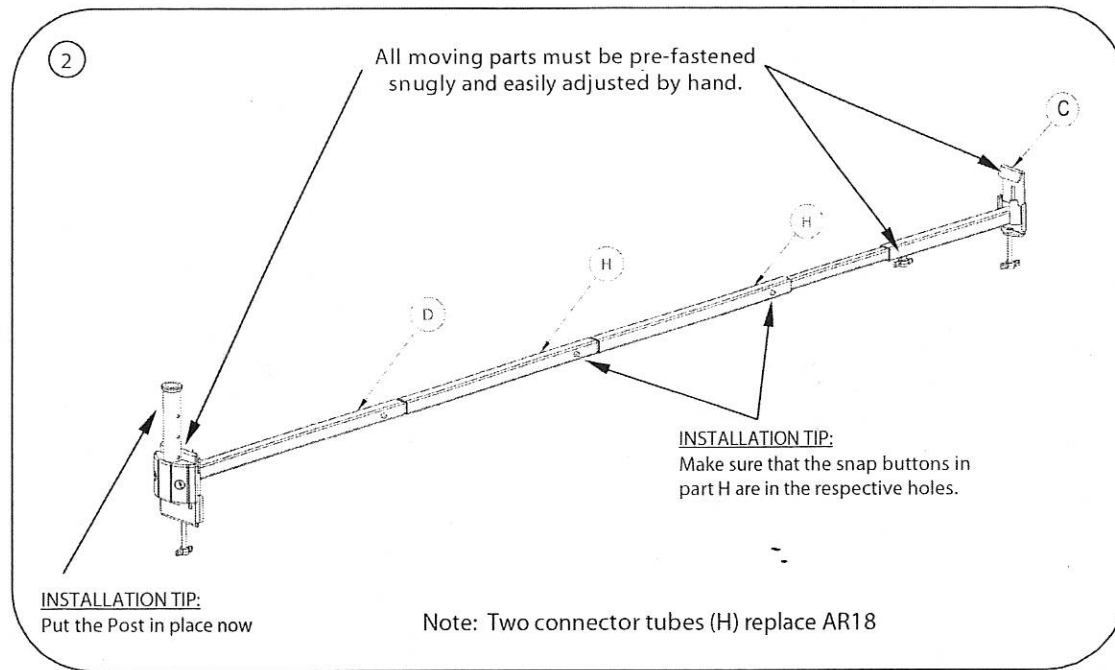
Pick Post Length & Handle Configuration



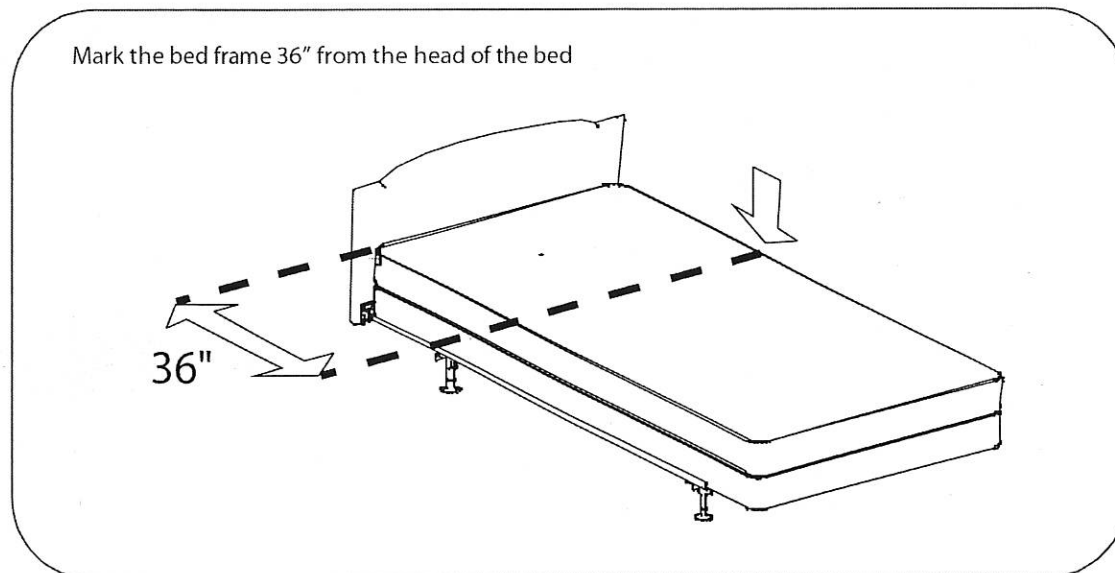
Pick Frame Width



Pre-Assemble These Parts

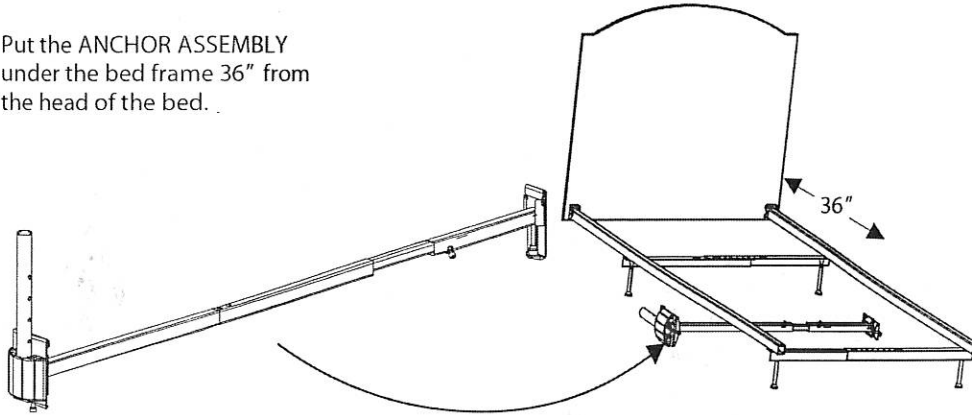


Select Installation Position

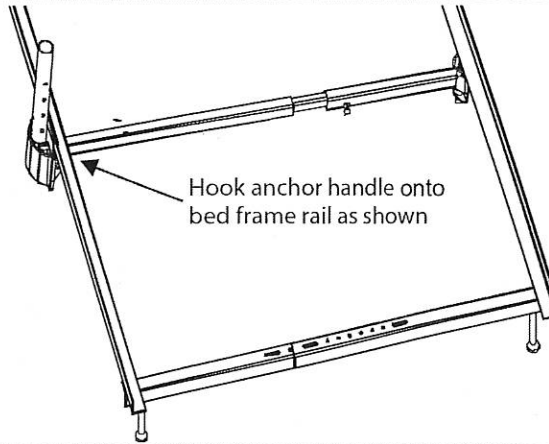


Fitting Arcorail Base to Frame

- ① Put the ANCHOR ASSEMBLY under the bed frame 36" from the head of the bed.

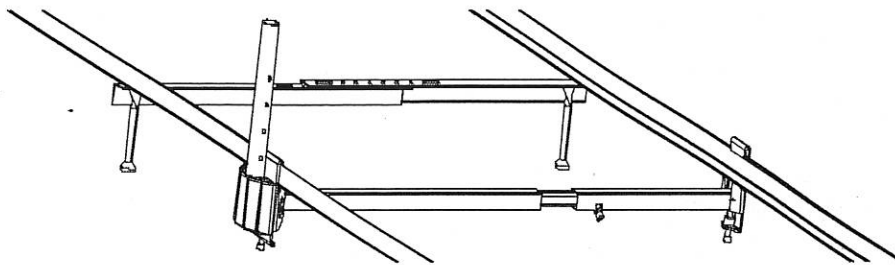


②



Hook anchor handle onto bed frame rail as shown

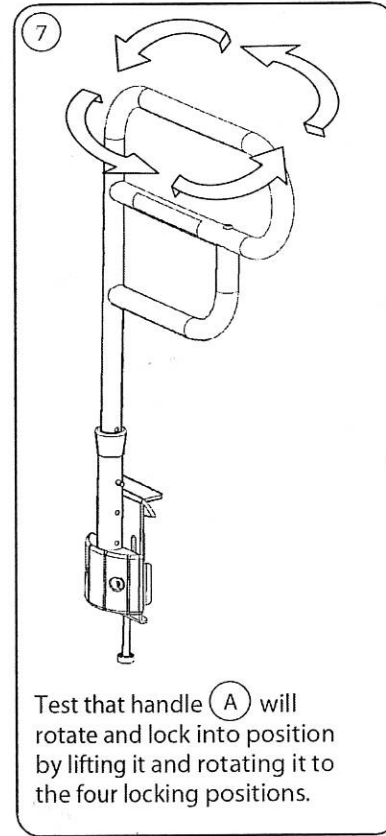
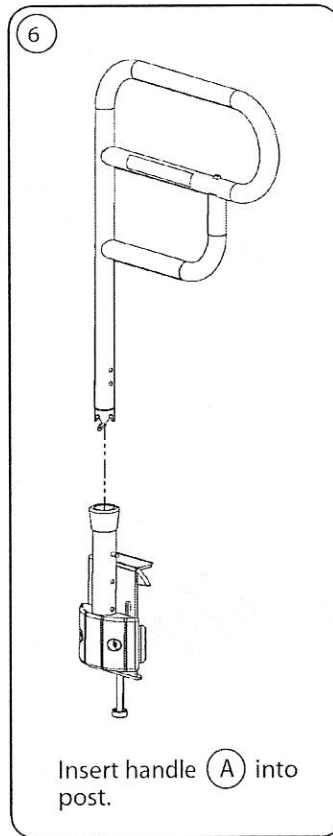
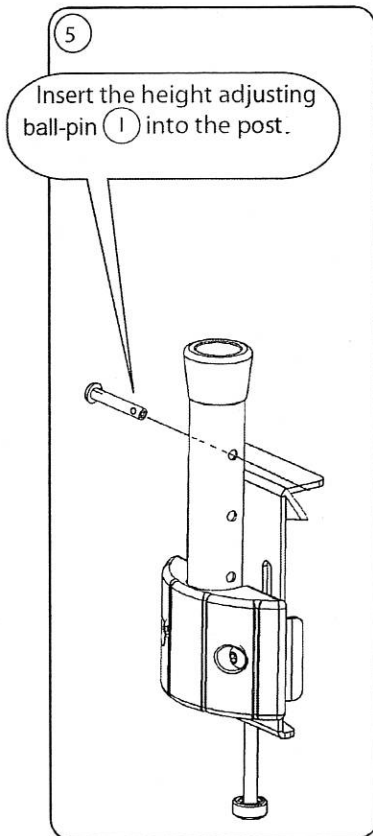
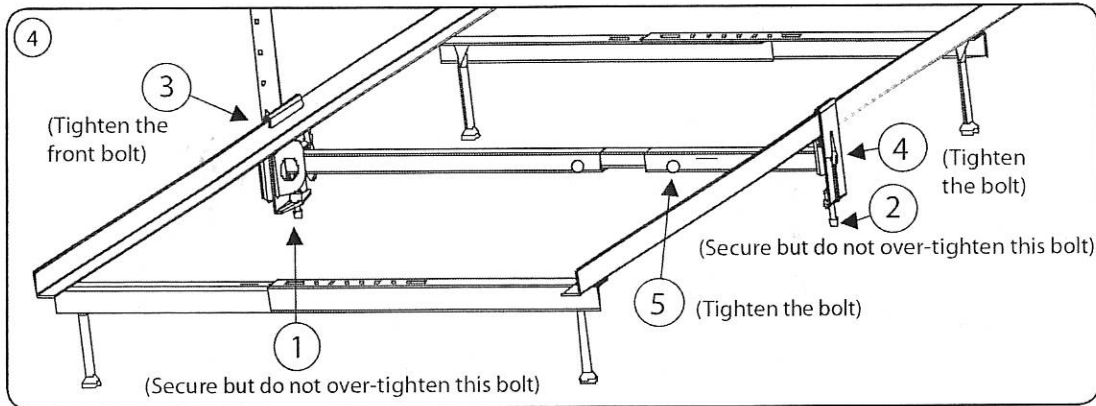
③



Take opposite end and hook it onto the bed frame.
Proceed to tightening bolts in step 4.

Tightening Arcorail Base to Frame

Ensure all parts are attached firmly (to simulate one solid part) and install in numeric order as shown.



Safety-Check:

Set height of Arcorail for safety (do not allow a gap greater than 3 inches (75mm) – see below for important details) and check to ensure all bolts and parts are firmly fastened before placing mattresses onto the bed frame and periodically tighten as required.

